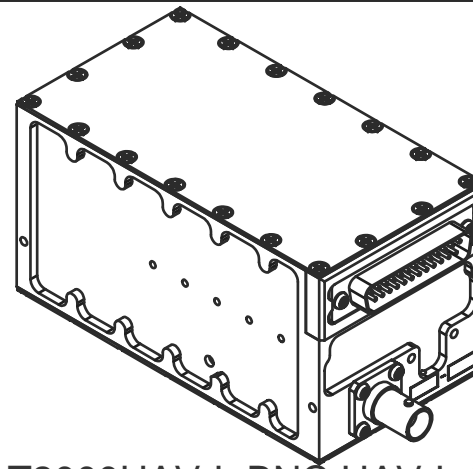
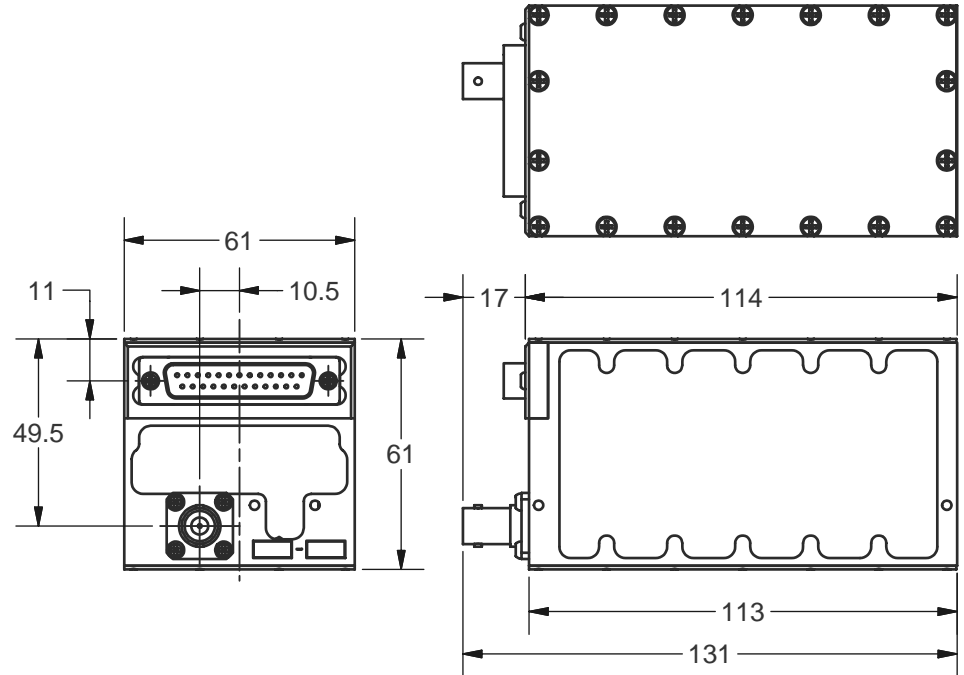
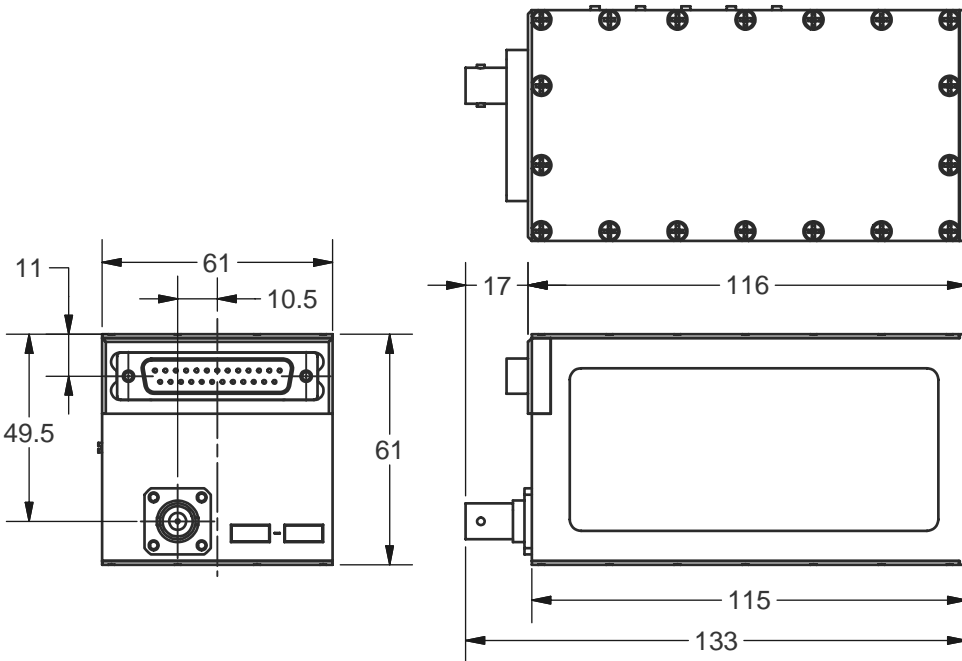



T2000UAV-S BNC UAV-S CHASSIS
Weight 520 grams



T2000UAV-L BNC UAV-L CHASSIS
Weight 454 grams



PROJECTION 	DIMENSIONS IN MILLIMETRES	SUPPLIER		DO NOT SCALE	THIS DRAWING IS COPYRIGHT AND MUST NOT BE COPIED WITHOUT THE CONSENT OF MICROAIR AVIONICS PTY LTD	SCALE 1:2	01R1-0	28/10/2009
GENERAL TOLERANCES WHOLE NO.'S ± 0.5 ONE DEC. ± 0.25 TWO DEC. ± 0.05 ANGLES $\pm 0.5^\circ$				DRN	JW	TITLE	REVISION	DATE
MATERIAL		SURFACE FINISH		APPR.		T2000UAV S & L BNC 3 VIEW COMPARISON	DWG No. MA1369	
FILE NAME: T2000UAV S & L BNC 3 VIEW COMPARISON 01R1-0						SHEET 1 OF 1 A4		